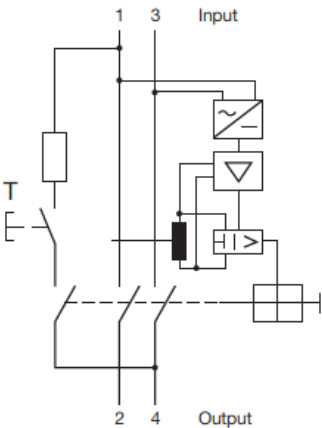


RCDs wiring diagrams

F202 B



F204 B

