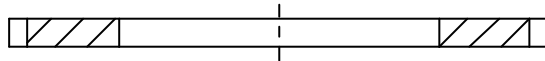
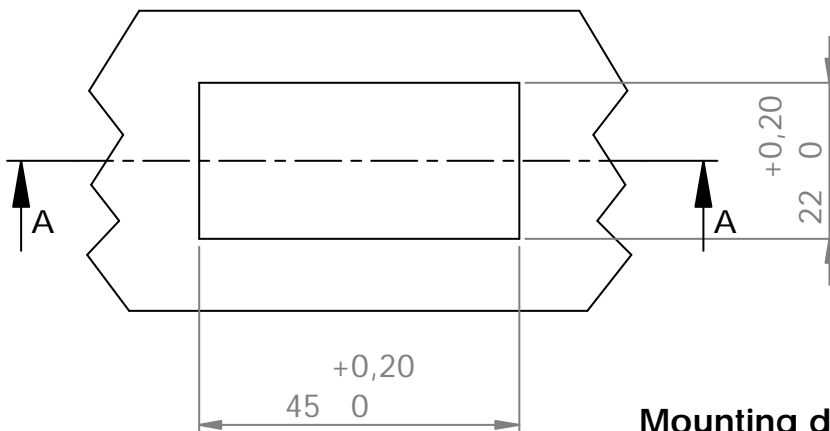


A-A



Wall thickness 1.5 mm - 4.0 mm



Mounting dimensions for switch
KB-01-S

| | | | | | |
|---------------|-----|------|--------|------------|-------------|
| | | | Tag | Name | Bezeichnung |
| | | | Bearb. | 15.11.2007 | Krämer |
| | | | Gepr. | | |
| | | | | | 40700003 |
| Ind. Änderung | Tag | Name | | | ZgNr. |