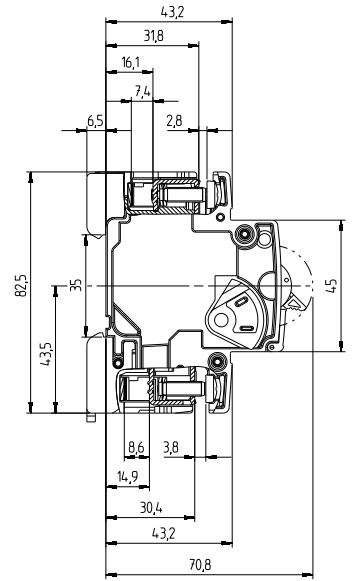
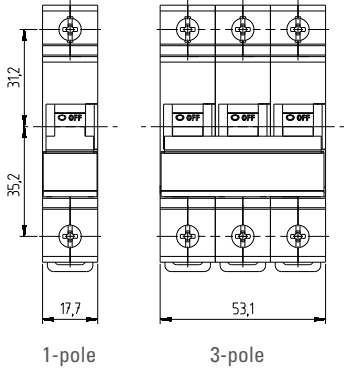


# MINIATURE CIRCUIT BREAKERS S, SL AND T PRODUCT RANGES

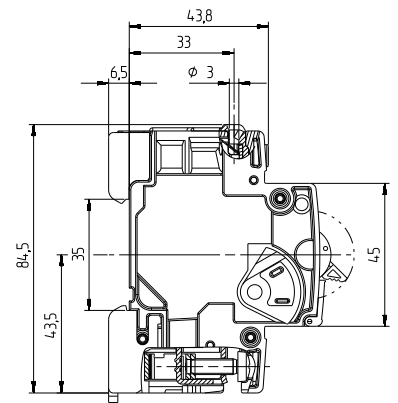
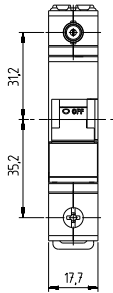
## Dimension Drawings



Miniature circuit breakers, **S product range**  
 · with screw terminals



Miniature circuit breakers, **SL product range**  
 · with screw terminals



Miniature circuit breakers, **T product range**  
 · with screw terminals

