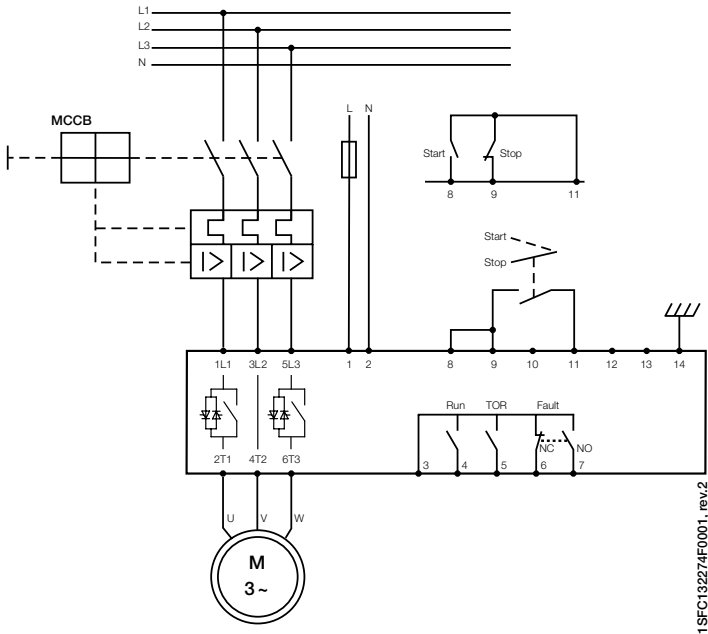


PSE – The efficient range

Circuit diagrams

PSE18...PSE370 With MCCB and line contactor



With fuses and line contactor

